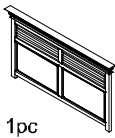
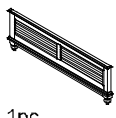
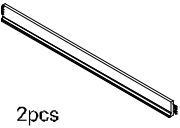
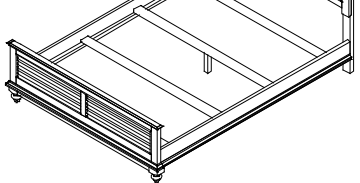


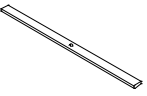
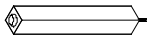




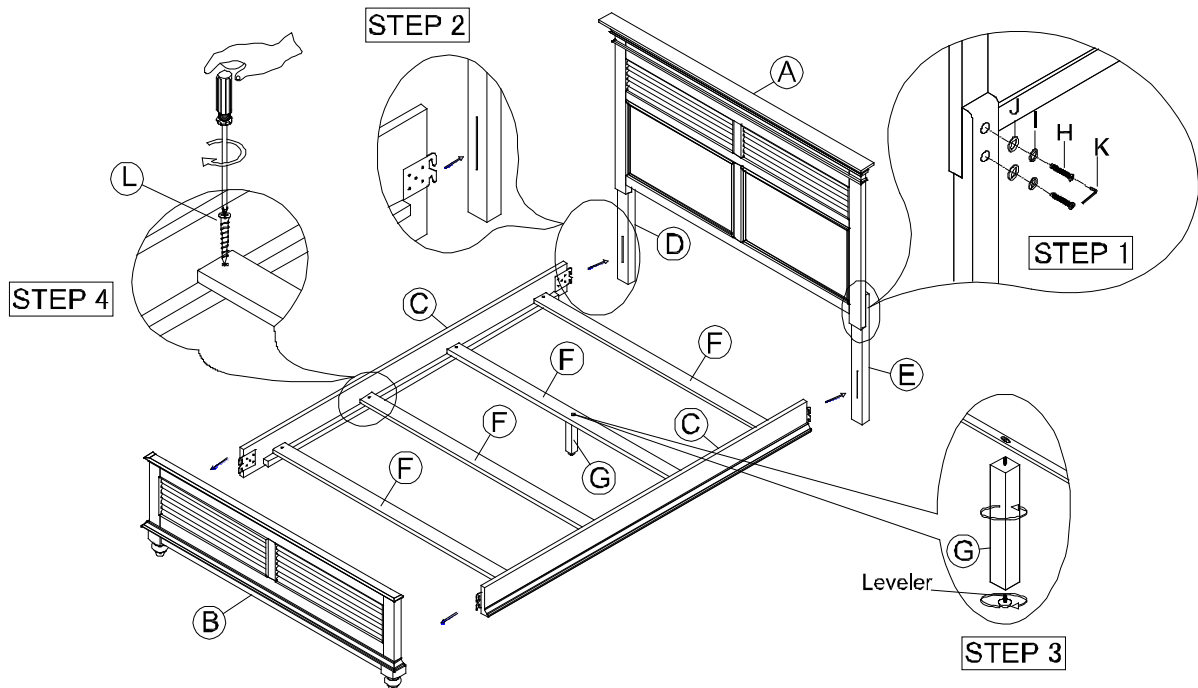


Components and Hardware list

<p>Headboard</p>  <p>(A) 1pc</p>	<p>Footboard</p>  <p>(B) 1pc</p>	<p>Side Rail</p>  <p>(C) 2pcs</p>			
<p>Left Post</p>  <p>(D) 1pc</p>	<p>Right Post</p>  <p>(E) 1pc</p>	<p>Slat</p>  <p>(F) 4pcs</p>			<p>Center Leg With leveler</p>  <p>(G) 1pc</p>
<p>Short Bolt Ø5/16"x1-3/4"L</p>  <p>(H) 4pcs</p>	<p>Spring Washer Ø5/16"</p>  <p>(I) 4pcs</p>	<p>Flat Washer Ø5/16"x19mm</p>  <p>(J) 4pcs</p>			<p>Allen Wrench 4mm</p>  <p>(K) 1pc</p>



STEP 1: Attach the Left and Right post(D&E) to the Headboard(A) using the Flat Washer(J), Spring Washer(I) and 1-1/2" long Bolt(H) Tighten all bolts using the Allen Wrench(K)

STEP 2: Gently lean the assembled Headboard against the wall where the Bed will be located Attach Side Rail(C) to Headboard(A) and Footboard(B) Using the tieback grapple

STEP 3: Attach the Center Leg(G) on bottom side of the third slat(F)

STEP 4: Attach Slats to the side rails with Screw(L) and your screwdriver,at both ends of slats

To prevent undue stress to the Bed always disassemble the Bed to move from one location to another